

SELECTIONS 3100 *Hand-Crafted in America*

THE SECTIONALS

A COMMENTARY ON SELECTIONS 3100 – THE SECTIONALS...

We offer all the Selections 3000 – Stand Alone Program - selections of arms, backs, legs, cushion fill, extended depth, skirts, etc. and now ADD twenty-seven (27) sectional shapes!

The "footprint" drawings are to scale – 1/4" = 12" (1 Foot, Johnny).

Extended depth is available on all pieces EXCEPT the six (6) sleepers. Note the dashed lines on the footprints; those on the arms indicate that with one of our slender arms (46, 86, 87, TR), the overall length will be about 3" shorter than the dimension shown. The dotted line in front (usually) of the footprint indicates where the extended depth can occur.

The Corner Storage Ottoman (CSO) is unusual to find in sectionals but it offers a useful corner that is only 36.5" deep (or 39.5" if extended) rather than the 80" Angled Quarter Turn (QT), and the Corner Unit (CU) has very little utility.

The reason for 36.5" vs. the standard 39.5" is because 3" of depth occurs in the back posts above cushion-top level.

We will offer our on-line customers the ability to assemble the footprints into the desired configuration by clicking on the sequence - from left to right, numbers 1 through 6. Our print folks must still complete the sequence section so we can make sure it will go together.

After checking our records, the Corner Unit (CU) was added; it can also have extended depth on two sides or on all four – 39.5 x 39.5, 39.5 x 42.5 or 42.5 x 42.5.

Did you notice that Scatter Backs are not offered on our sectionals? The reason is that some configurations just don't come together well without an arm on both ends.

HOW TO ORDER – OUR SUGGESTIONS

1. Take Pages 1 and 2 from the order pad – your order form will consist of both sides of Page 2.
2. Start with the back of this Page and the front of Page 2 (which offers graphic displays of all pieces with dimensions) and be sure to select the sequence number of each piece, starting from left to right with #1.
3. Now move to the back of Page 2 to detail the Selections Arm Styles, Skirts, etc.
4. Complete the customer information and fabric description on the Back Page.
5. **Snail mail, fax to (336) 622-4112 or scan and email to Selections@MichaelThomas.com and be sure to send BOTH sides please.**

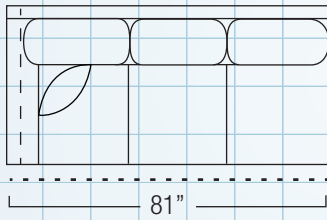
Many thanks for your order!
– The people at Michael Thomas

Michael Thomas
... where details are standard

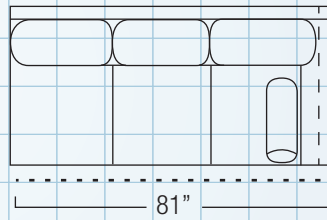
SINCE EVERY PIECE IS HAND MADE, DIMENSIONS MAY VARY SLIGHTLY.

Left Sofa (LS)

19 YDS

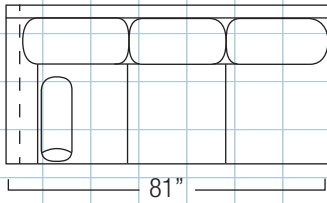


Right Sofa (RS)

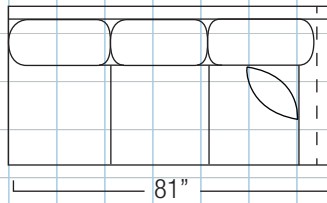


Left Queen (LQ)

19 YDS



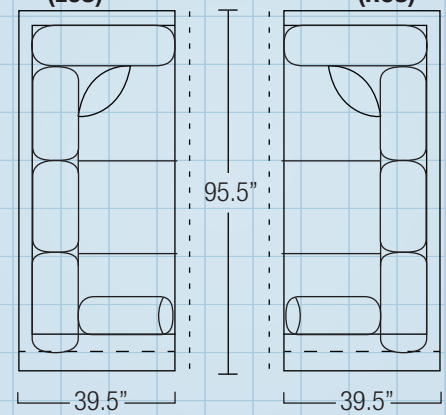
Right Queen (RQ)



Left Corner Sofa (LCS)

22 YDS

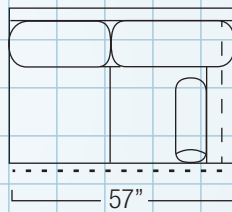
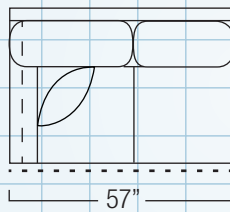
Right Corner Sofa (RCS)



Left Loveseat (LL)

15 YDS

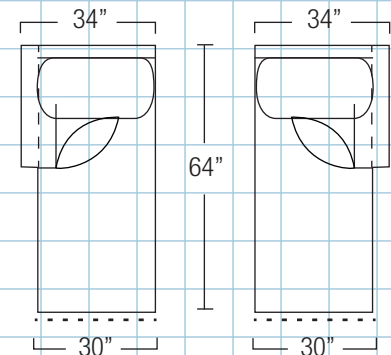
Right Loveseat (RL)



Left Chaise (LZ)

14 YDS

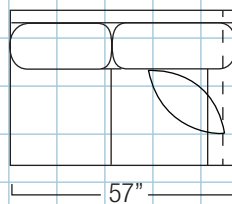
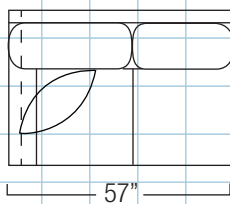
Right Chaise (RZ)



Left Apt Sleeper (LAS)

15 YDS

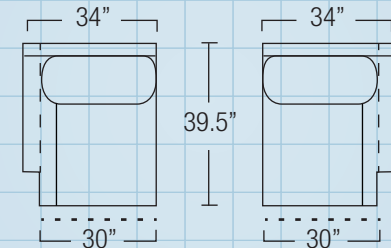
Right Apt Sleeper (RAS)



Left Chair (LC)

9.5 YDS

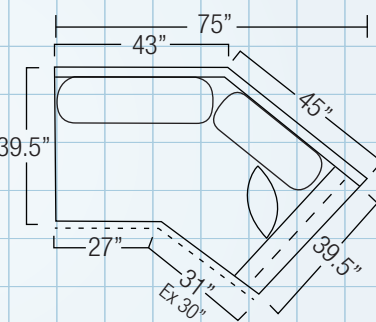
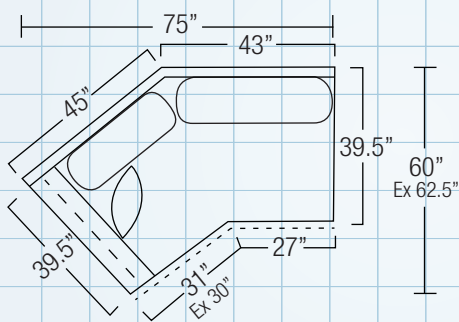
Right Chair (RC)



Left Wedge (LW)

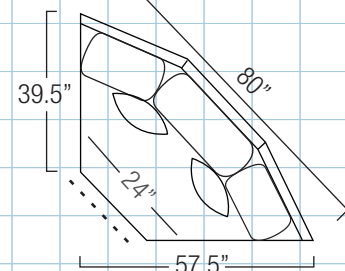
18 YDS

Right Wedge (RW)



Angled Quarter Turn (QT)

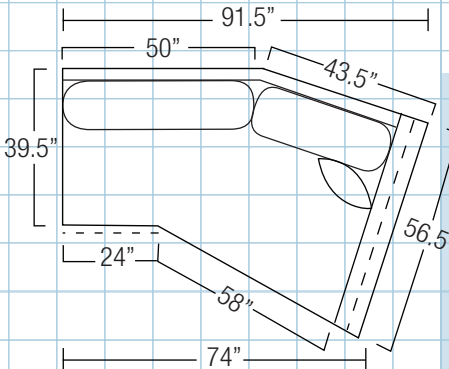
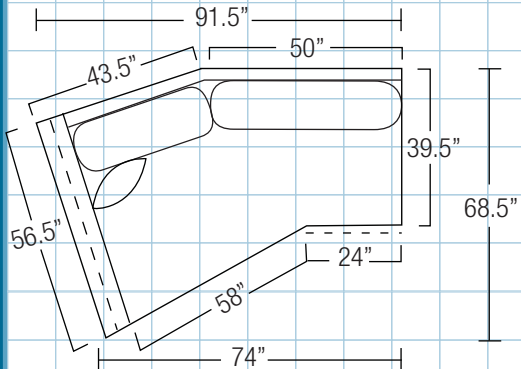
19 YDS



Left Curl Up (LCU)

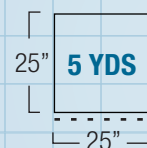
19.5 YDS

Right Curl Up (RCU)



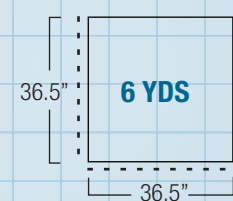
Ottoman (OT)

5 YDS



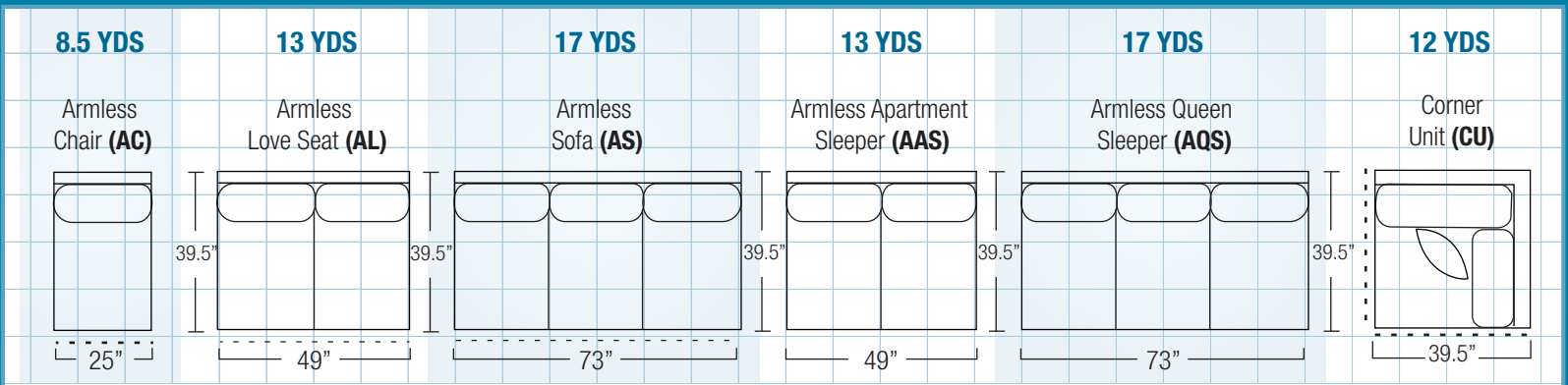
Corner Storage Ottoman (CSO)

6 YDS



SINCE EVERY PIECE IS HAND MADE, DIMENSIONS MAY VARY SLIGHTLY.

NOTE: • Vertical dash line on the arm indicates 4" smaller arm • Horizontal dotted line in front indicates 3" extended depth • 1/4" Square = 12" • Bayonet latches standard



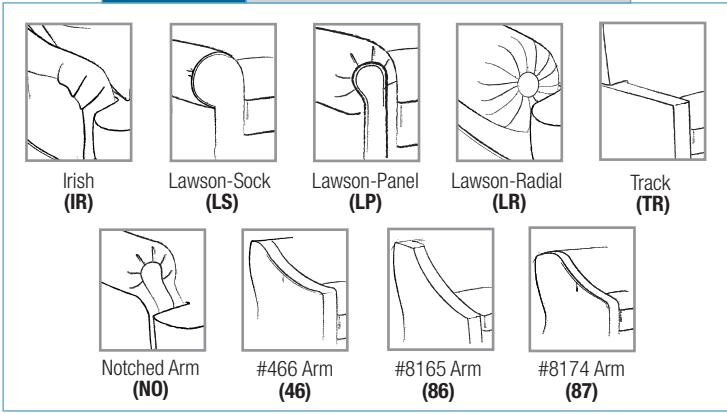
SECTIONALS ORDER FORM (ONCE COMPLETED, PLEASE PROCEED TO STEPS 2-7 ON THE BACK PAGE)

Piece	Backs / Seats	Throw Pillows	Extended Depth	Sequence (FROM LEFT TO RIGHT)
Armless Chair (AC)	<input type="checkbox"/> 1/1	<input type="checkbox"/> None	<input type="checkbox"/> Yes <input type="checkbox"/> No	<input type="checkbox"/> 1 <input type="checkbox"/> 2 <input type="checkbox"/> 3 <input type="checkbox"/> 4 <input type="checkbox"/> 5 <input type="checkbox"/> 6
Armless Loveseat (AL)	<input type="checkbox"/> 2/1 <input type="checkbox"/> 2/2	<input type="checkbox"/> None	<input type="checkbox"/> Yes <input type="checkbox"/> No	<input type="checkbox"/> 1 <input type="checkbox"/> 2 <input type="checkbox"/> 3 <input type="checkbox"/> 4 <input type="checkbox"/> 5 <input type="checkbox"/> 6
Armless Sofa (AS)	<input type="checkbox"/> 3/3 <input type="checkbox"/> 3/1 <input type="checkbox"/> 2/2	<input type="checkbox"/> None	<input type="checkbox"/> Yes <input type="checkbox"/> No	<input type="checkbox"/> 1 <input type="checkbox"/> 2 <input type="checkbox"/> 3 <input type="checkbox"/> 4 <input type="checkbox"/> 5 <input type="checkbox"/> 6
Armless Apt. Sleeper (AAS)	<input type="checkbox"/> 2/1 <input type="checkbox"/> 2/2	<input type="checkbox"/> None	Not Available	<input type="checkbox"/> 1 <input type="checkbox"/> 2 <input type="checkbox"/> 3 <input type="checkbox"/> 4 <input type="checkbox"/> 5 <input type="checkbox"/> 6
Armless Queen Sleeper (AQS)	<input type="checkbox"/> 3/1 <input type="checkbox"/> 3/3 <input type="checkbox"/> 2/2	<input type="checkbox"/> None	Not Available	<input type="checkbox"/> 1 <input type="checkbox"/> 2 <input type="checkbox"/> 3 <input type="checkbox"/> 4 <input type="checkbox"/> 5 <input type="checkbox"/> 6
Left Apt. Sleeper (LAS)	<input type="checkbox"/> 2/1 <input type="checkbox"/> 2/2	<input type="checkbox"/> 1-19" OR <input type="checkbox"/> 1-7"	Not Available	<input type="checkbox"/> 1 <input type="checkbox"/> 2 <input type="checkbox"/> 3 <input type="checkbox"/> 4 <input type="checkbox"/> 5 <input type="checkbox"/> 6
Right Apt. Sleeper (RAS)	<input type="checkbox"/> 2/1 <input type="checkbox"/> 2/2	<input type="checkbox"/> 1-19" OR <input type="checkbox"/> 1-7"	Not Available	<input type="checkbox"/> 1 <input type="checkbox"/> 2 <input type="checkbox"/> 3 <input type="checkbox"/> 4 <input type="checkbox"/> 5 <input type="checkbox"/> 6
Left Queen Sleeper (LQS)	<input type="checkbox"/> 3/1 <input type="checkbox"/> 3/3 <input type="checkbox"/> 2/2	<input type="checkbox"/> 1-19" OR <input type="checkbox"/> 1-7"	Not Available	<input type="checkbox"/> 1 <input type="checkbox"/> 2 <input type="checkbox"/> 3 <input type="checkbox"/> 4 <input type="checkbox"/> 5 <input type="checkbox"/> 6
Right Queen Sleeper (RQS)	<input type="checkbox"/> 3/1 <input type="checkbox"/> 3/3 <input type="checkbox"/> 2/2	<input type="checkbox"/> 1-19" OR <input type="checkbox"/> 1-7"	Not Available	<input type="checkbox"/> 1 <input type="checkbox"/> 2 <input type="checkbox"/> 3 <input type="checkbox"/> 4 <input type="checkbox"/> 5 <input type="checkbox"/> 6
Ottoman (OT)	<input type="checkbox"/> None	<input type="checkbox"/> None	<input type="checkbox"/> Yes <input type="checkbox"/> No	<input type="checkbox"/> 1 <input type="checkbox"/> 2 <input type="checkbox"/> 3 <input type="checkbox"/> 4 <input type="checkbox"/> 5 <input type="checkbox"/> 6
Corner Unit (CU)	<input type="checkbox"/> 2/1 Only <input type="checkbox"/> 1-19" Only	<input type="checkbox"/> 39.5x39.5 <input type="checkbox"/> 39.5x42.5 <input type="checkbox"/> 42.5x42.5		<input type="checkbox"/> 1 <input type="checkbox"/> 2 <input type="checkbox"/> 3 <input type="checkbox"/> 4 <input type="checkbox"/> 5 <input type="checkbox"/> 6
Corner Storage Ottoman (CSO)	<input type="checkbox"/> 36.5x36.5 <input type="checkbox"/> 36.5x39.5 <input type="checkbox"/> 39.5x39.5	<input type="checkbox"/> Tufted <input type="checkbox"/> Not		<input type="checkbox"/> 1 <input type="checkbox"/> 2 <input type="checkbox"/> 3 <input type="checkbox"/> 4 <input type="checkbox"/> 5 <input type="checkbox"/> 6
Angled Quarter Turn (QT)	<input type="checkbox"/> 3/1 Only	<input type="checkbox"/> 2-19"	<input type="checkbox"/> Yes <input type="checkbox"/> No	<input type="checkbox"/> 1 <input type="checkbox"/> 2 <input type="checkbox"/> 3 <input type="checkbox"/> 4 <input type="checkbox"/> 5 <input type="checkbox"/> 6
Left Chair (LC)	<input type="checkbox"/> 1/1 Only	<input type="checkbox"/> 1-19" OR <input type="checkbox"/> 1-7"	<input type="checkbox"/> Yes <input type="checkbox"/> No	<input type="checkbox"/> 1 <input type="checkbox"/> 2 <input type="checkbox"/> 3 <input type="checkbox"/> 4 <input type="checkbox"/> 5 <input type="checkbox"/> 6
Right Chair (RC)	<input type="checkbox"/> 1/1 Only	<input type="checkbox"/> 1-19" OR <input type="checkbox"/> 1-7"	<input type="checkbox"/> Yes <input type="checkbox"/> No	<input type="checkbox"/> 1 <input type="checkbox"/> 2 <input type="checkbox"/> 3 <input type="checkbox"/> 4 <input type="checkbox"/> 5 <input type="checkbox"/> 6
Left Chaise (LZ)	<input type="checkbox"/> 1/1 Only	<input type="checkbox"/> 1-19" OR <input type="checkbox"/> 1-7"	<input type="checkbox"/> Yes <input type="checkbox"/> No	<input type="checkbox"/> 1 <input type="checkbox"/> 2 <input type="checkbox"/> 3 <input type="checkbox"/> 4 <input type="checkbox"/> 5 <input type="checkbox"/> 6
Right Chaise (RZ)	<input type="checkbox"/> 1/1 Only	<input type="checkbox"/> 1-19" OR <input type="checkbox"/> 1-7"	<input type="checkbox"/> Yes <input type="checkbox"/> No	<input type="checkbox"/> 1 <input type="checkbox"/> 2 <input type="checkbox"/> 3 <input type="checkbox"/> 4 <input type="checkbox"/> 5 <input type="checkbox"/> 6
Left Loveseat (LL)	<input type="checkbox"/> 2/1 <input type="checkbox"/> 2/2	<input type="checkbox"/> 1-19" OR <input type="checkbox"/> 1-7"	<input type="checkbox"/> Yes <input type="checkbox"/> No	<input type="checkbox"/> 1 <input type="checkbox"/> 2 <input type="checkbox"/> 3 <input type="checkbox"/> 4 <input type="checkbox"/> 5 <input type="checkbox"/> 6
Right Loveseat (RL)	<input type="checkbox"/> 2/1 <input type="checkbox"/> 2/2	<input type="checkbox"/> 1-19" OR <input type="checkbox"/> 1-7"	<input type="checkbox"/> Yes <input type="checkbox"/> No	<input type="checkbox"/> 1 <input type="checkbox"/> 2 <input type="checkbox"/> 3 <input type="checkbox"/> 4 <input type="checkbox"/> 5 <input type="checkbox"/> 6
Left Sofa (LS)	<input type="checkbox"/> 3/3 <input type="checkbox"/> 3/1 <input type="checkbox"/> 2/2	<input type="checkbox"/> 1-19" OR <input type="checkbox"/> 1-7"	<input type="checkbox"/> Yes <input type="checkbox"/> No	<input type="checkbox"/> 1 <input type="checkbox"/> 2 <input type="checkbox"/> 3 <input type="checkbox"/> 4 <input type="checkbox"/> 5 <input type="checkbox"/> 6
Right Sofa (RS)	<input type="checkbox"/> 3/3 <input type="checkbox"/> 3/1 <input type="checkbox"/> 2/2	<input type="checkbox"/> 1-19" OR <input type="checkbox"/> 1-7"	<input type="checkbox"/> Yes <input type="checkbox"/> No	<input type="checkbox"/> 1 <input type="checkbox"/> 2 <input type="checkbox"/> 3 <input type="checkbox"/> 4 <input type="checkbox"/> 5 <input type="checkbox"/> 6
Left Corner Sofa (LCS)	<input type="checkbox"/> 4/3 <input type="checkbox"/> 4/1 <input type="checkbox"/> 3/2	<input type="checkbox"/> 1-19" + 1-19" OR <input type="checkbox"/> 1-7"	<input type="checkbox"/> Yes <input type="checkbox"/> No	<input type="checkbox"/> 1 <input type="checkbox"/> 2 <input type="checkbox"/> 3 <input type="checkbox"/> 4 <input type="checkbox"/> 5 <input type="checkbox"/> 6
Right Corner Sofa (RCS)	<input type="checkbox"/> 4/3 <input type="checkbox"/> 4/1 <input type="checkbox"/> 3/2	<input type="checkbox"/> 1-19" + 1-19" OR <input type="checkbox"/> 1-7"	<input type="checkbox"/> Yes <input type="checkbox"/> No	<input type="checkbox"/> 1 <input type="checkbox"/> 2 <input type="checkbox"/> 3 <input type="checkbox"/> 4 <input type="checkbox"/> 5 <input type="checkbox"/> 6
Left Curl Up (LCU)	<input type="checkbox"/> 2/1 Only	<input type="checkbox"/> 1-19" OR <input type="checkbox"/> 1-7"	<input type="checkbox"/> Yes <input type="checkbox"/> No	<input type="checkbox"/> 1 <input type="checkbox"/> 2 <input type="checkbox"/> 3 <input type="checkbox"/> 4 <input type="checkbox"/> 5 <input type="checkbox"/> 6
Right Curl Up (RCU)	<input type="checkbox"/> 2/1 Only	<input type="checkbox"/> 1-19" OR <input type="checkbox"/> 1-7"	<input type="checkbox"/> Yes <input type="checkbox"/> No	<input type="checkbox"/> 1 <input type="checkbox"/> 2 <input type="checkbox"/> 3 <input type="checkbox"/> 4 <input type="checkbox"/> 5 <input type="checkbox"/> 6
Left Wedge (LW)	<input type="checkbox"/> 2/1 Only	<input type="checkbox"/> 1-19" OR <input type="checkbox"/> 1-7"	<input type="checkbox"/> Yes <input type="checkbox"/> No	<input type="checkbox"/> 1 <input type="checkbox"/> 2 <input type="checkbox"/> 3 <input type="checkbox"/> 4 <input type="checkbox"/> 5 <input type="checkbox"/> 6
Right Wedge (RW)	<input type="checkbox"/> 2/1 Only	<input type="checkbox"/> 1-19" OR <input type="checkbox"/> 1-7"	<input type="checkbox"/> Yes <input type="checkbox"/> No	<input type="checkbox"/> 1 <input type="checkbox"/> 2 <input type="checkbox"/> 3 <input type="checkbox"/> 4 <input type="checkbox"/> 5 <input type="checkbox"/> 6

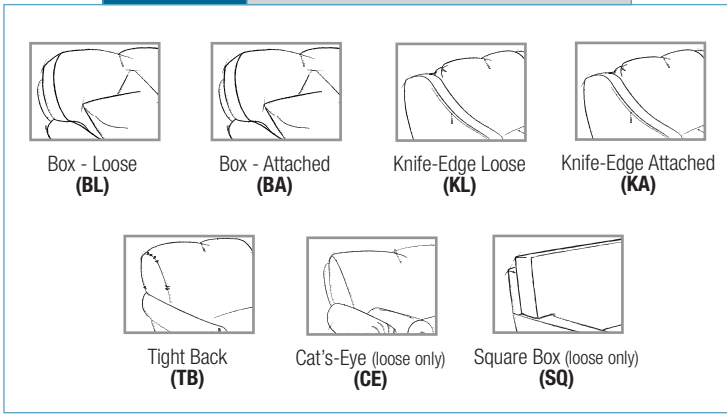
SINCE EVERY PIECE IS HAND MADE, DIMENSIONS MAY VARY SLIGHTLY.

SOLD TO: _____ _____ _____	DATE: _____	PO#: _____	SHIP TO: _____ _____ _____
SIDEMARK:			

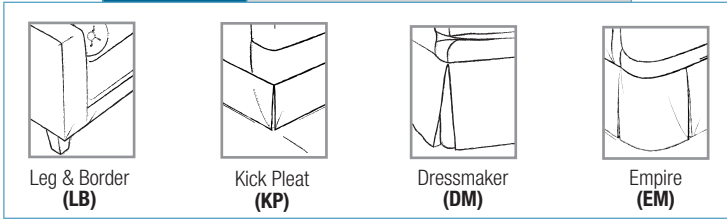
STEP 2 ARM STYLE SELECTION



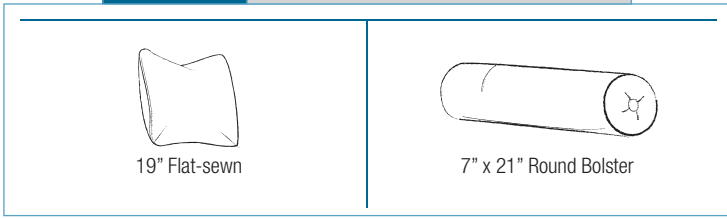
STEP 7 BACK PREFERENCE



STEP 4 BASE SELECTION



STEP 8 THROW PILLOWS



BELOW ARE STEPS 1-7

Fax to: Selections at Michael Thomas at (336) 622-4112 or scan or email to Selections@MichaelThomasFurniture.com

STEP 1	SELECTIONS	BRING YOUR SELECTIONS 3100 ORDER FORM													
STEP 2	ARM STYLE	<input type="checkbox"/> Irish Arm IR	<input type="checkbox"/> Lawson-Sock LS	<input type="checkbox"/> Lawson-Panel LP	<input type="checkbox"/> Lawson-Radial LR	<input type="checkbox"/> Track Arm TR	<input type="checkbox"/> Notched Arm NO	<input type="checkbox"/> #466 Arm 46	<input type="checkbox"/> #8165 Arm 86	<input type="checkbox"/> #8174 Arm 87					
STEP 3	ARM DETAILS & SEAT DEPTH	<input type="checkbox"/> Straight S	<input type="checkbox"/> Straight - Extra Depth SX	<input type="checkbox"/> T-Front Curve TC	<input type="checkbox"/> T-Front Curve - Extra Depth TCX	<input type="checkbox"/> T-Front Plain TP	<input type="checkbox"/> T-Front Plain - Extra Depth TPX								
STEP 4	BASE	<input type="checkbox"/> Leg & Border LB	<input type="checkbox"/> Kick-Pleat Skirt KP	<input type="checkbox"/> Dressmaker Skirt DM	<input type="checkbox"/> Empire Skirt EM										
STEP 5-A	LEG STYLE	<input type="checkbox"/> Irish (IT)	<input type="checkbox"/> Reeded (RE)	<input type="checkbox"/> Wave (WV)	<input type="checkbox"/> 8174 (74)	<input type="checkbox"/> Taper (TA)	<input type="checkbox"/> Back Leg (Standard)								
STEP 5-B	LEG FINISH	<input type="checkbox"/> Mahogany (MA)	<input type="checkbox"/> Provence (PR)	<input type="checkbox"/> Brushed Almond (BA)	<input type="checkbox"/> Legends (LG)	<input type="checkbox"/> Battered Black (BK)	<input type="checkbox"/> Cherry (CH)								
ANY FINISH ON ANY LEG – EXAMPLE: WV-PR (WAVE LEG + PROVENCE FINISH)															
STEP 6	CUSHION FILLING	<input type="checkbox"/> Hypo-Allergenic (firm) AL	<input type="checkbox"/> SpringDown (medium) SP	<input type="checkbox"/> HybriDown (softer) HY	<input type="checkbox"/> MicroDown (softest) MC										
STEP 7	BACK PREFERENCE	<input type="checkbox"/> Box (loose) BL	<input type="checkbox"/> Box (attached) BA	<input type="checkbox"/> Knife-Edge (loose) KL	<input type="checkbox"/> Knife-Edge (attached) KA	<input type="checkbox"/> Tight Back TB	<input type="checkbox"/> Cat's Eye (loose only) CE	<input type="checkbox"/> Square Box (loose only) SQ							

NOTES:

- >> No charge for contrasting welts; any piece in any configuration is the same price as that piece in any other configuration in the same grade of fabric.
- >> Extended depth is NOT an upcharge.

Fabric Description and Notes:

Michael Thomas

... where details are standard

SINCE EVERY PIECE IS HAND MADE, DIMENSIONS MAY VARY SLIGHTLY.